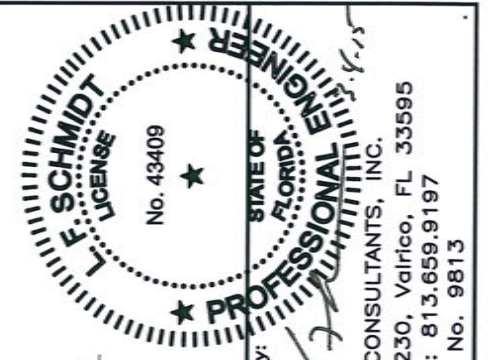




TRINITY GLASS
INTERNATIONAL

33615 1st Way S, Federal Way, WA 98003

**OPAQUE FIBERGLASS
"IMPACT" DOOR WITH
"NON-IMPACT" SIDELITE or SIDELITES
IN SWING / OUTSWING**

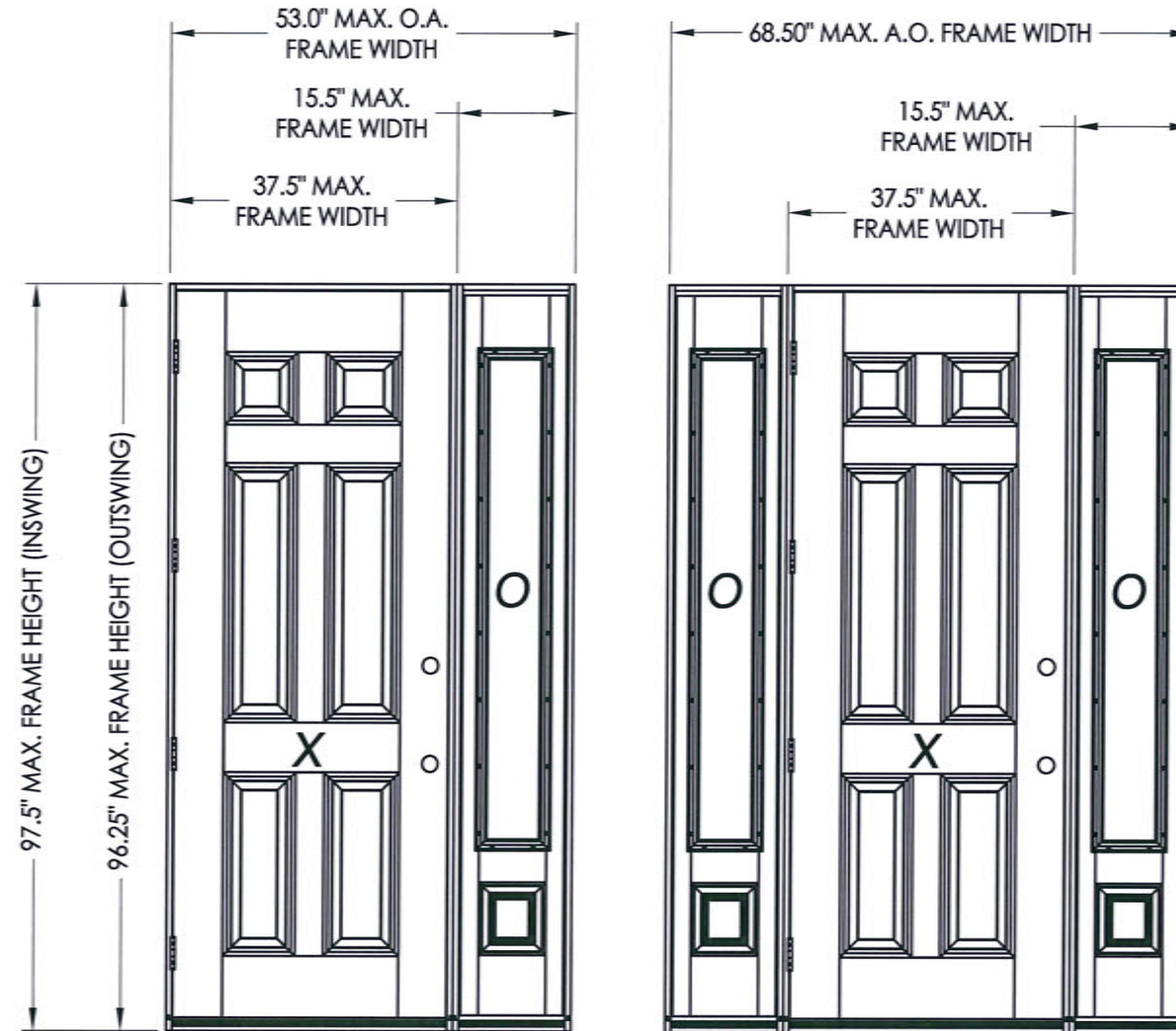


Documents Prepared By:
Lyndon F. Schmidt
P.E. No. 43409

R.W. BUILDING CONSULTANTS, INC.
P.O. Box 230, Valrico, FL 33595
Phone No.: 813.659.9197
FBPE C.A. No. 9813

GENERAL NOTES

1. This product has been evaluated and is in compliance with the 5th Edition (2014) Florida Building Code (FBC) structural requirements excluding the "High Velocity Hurricane Zone" (HVHZ).
2. Product anchors shall be as listed and spaced as shown on details. Anchor embedment to base material shall be beyond wall dressing or stucco.
3. When used in areas requiring wind borne debris protection the opaque door complies with Section 1609.1.2 of the 2010 FBC and does not need to be protected with an impact resistant covering. This product meets missile level "D" and includes Wind Zone 4 as defined in ASTM E 1996 and Section 1609.1.2.2 of the FBC. The sidelite is req'd to be protected with an impact resistant covering that complies with Section 1609.1.2 of the FBC.
4. For 2x stud framing construction, anchoring of these units shall be the same as that shown for 2x buck masonry construction.
5. Site conditions that deviate from the details of this drawing require further engineering analysis by a licensed engineer or registered architect.



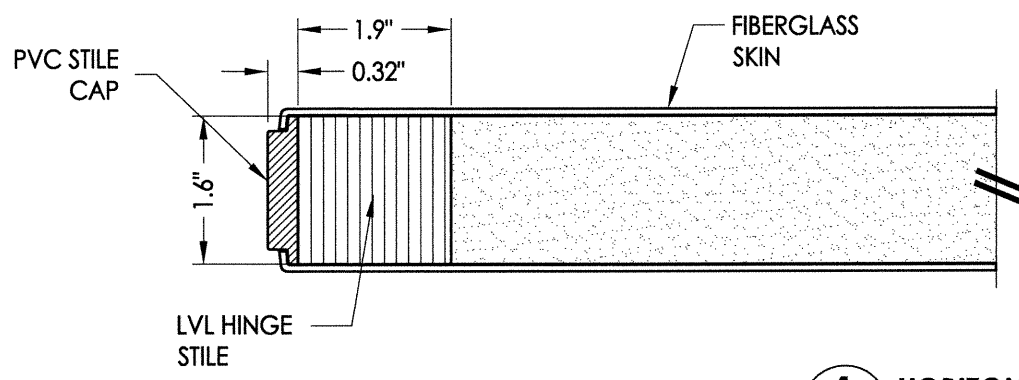
| TABLE OF CONTENTS | |
|-------------------|--|
| SHEET# | DESCRIPTION |
| 1 | Typical elevations, design pressures & general notes |
| 2 | Door panel details |
| 3 | Sidelite panel details |
| 4 | Elevations |
| 5 | Horizontal cross section |
| 6 | Vertical cross sections |
| 7 | Vertical cross sections |
| 8 | Buck anchoring |
| 9 | Frame anchoring |
| 10 | Components |
| 11 | Bill of materials |

| CONFIGURATION | MAX. FRAME DIMENSION | OVERALL D.L.O. DIMENSION | GLASS TYPE | DESIGN PRESSURE (PSF) | |
|---------------|----------------------|--------------------------|------------|-----------------------|----------|
| | | | | POSITIVE | NEGATIVE |
| OX / XO | 53.0" x 97.5" | 6.87" x 62.75" | G1 | + 47.0 | - 47.0 |
| OXO | 68.5" x 97.5" | 6.87" x 62.75" | G1 | + 47.0 | - 47.0 |

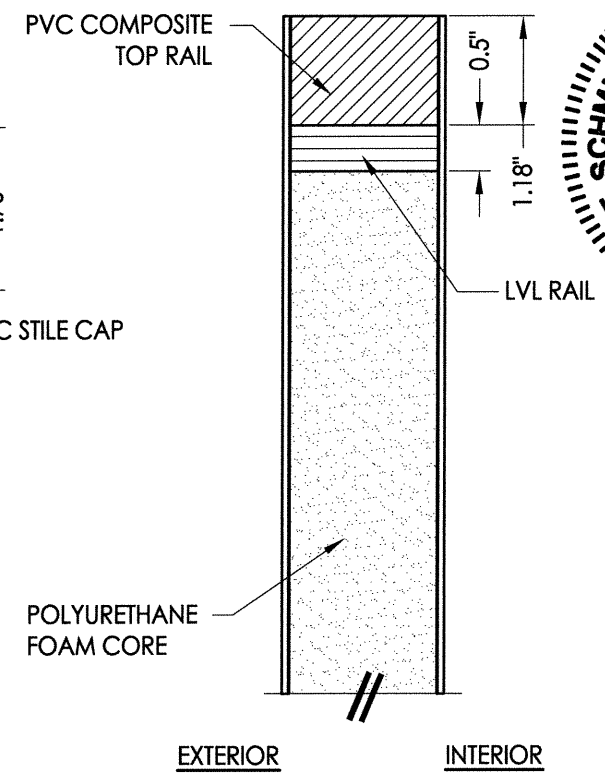
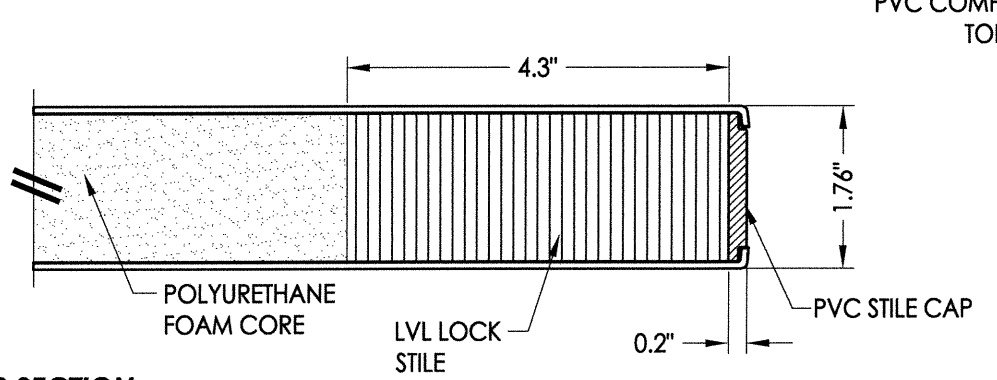
| | | |
|------------------------------|---|----|
| PRODUCT: | TRINITY GLASS INT'L | |
| PART OR ASSEMBLY: | TYPICAL ELEVATION, DESIGN PRESSURES & GENERAL NOTES | |
| NO. | DATE | BY |
| 1 | 03/02/15 | JK |
| UPDATE TO 5TH ED. (2014) FBC | | |
| REVISIONS | | |
| DATE: | 1/18/12 | |
| SCALE: | N.T.S. | |
| DWG. BY: | JK | |
| CHK. BY: | LFS | |
| DRAWING NO.: | FL-15129.15 | |
| SHEET | 1 OF 11 | |

R:\Clients\Trinity PERMANENT\Florida Product Approvals\FL-15129\Drawings\Current\FL-15129.13-20.dwg, FL-15129.15

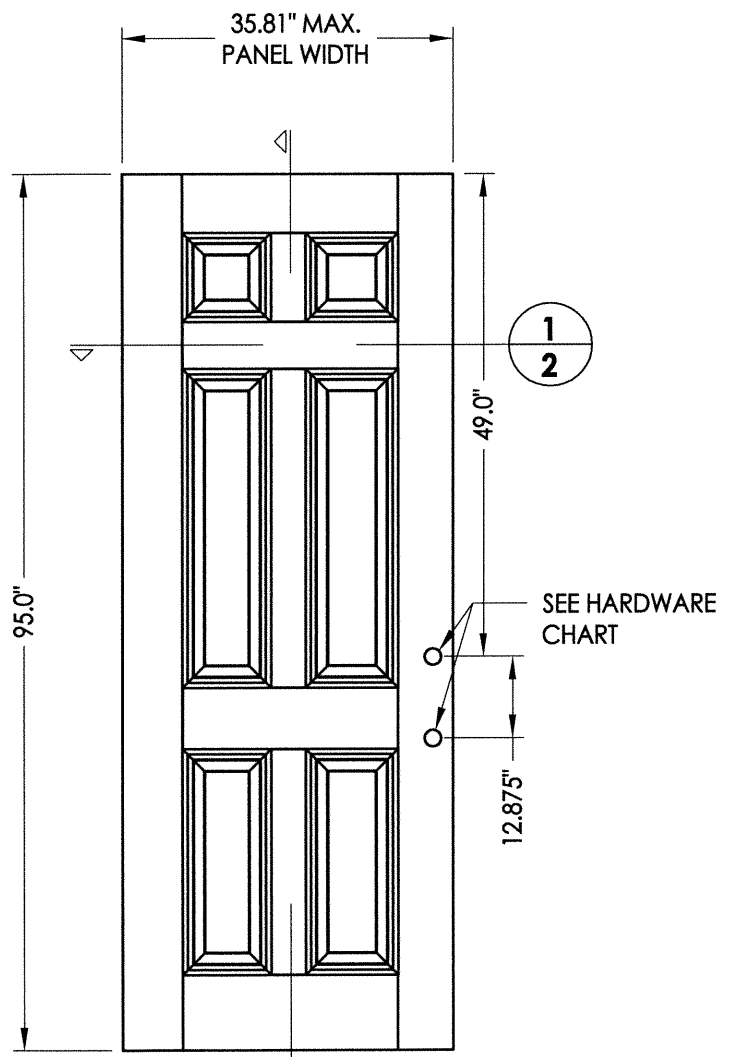
R:\Clients\Trinity PERMANENT\Florida Product Approvals\FL-15129\Drawings\Current\FL-15129.13-20.dwg, 2.15



1
2 HORIZONTAL CROSS SECTION



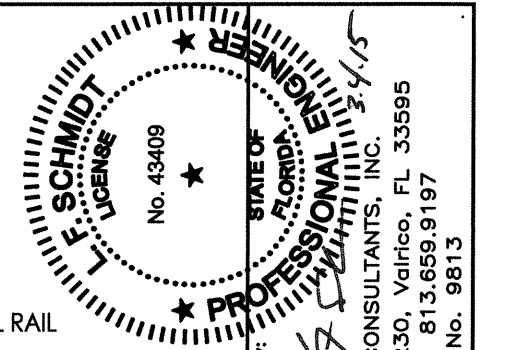
2
2 VERTICAL CROSS SECTION



40 PREMIUM OPAQUE DOOR
"IMPACT"

| HARDWARE CHART | |
|----------------|--|
| MANUFACTURER | MODEL |
| KWIKSET | KNOB: SIGNATURE SERIES DEADBOLT: SIGNATURE SERIES (980) |

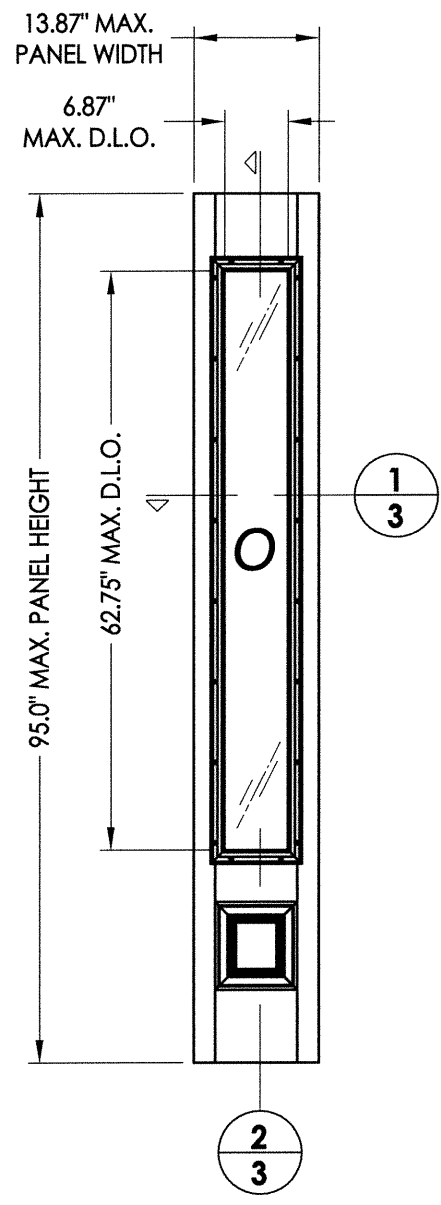
DOOR SKIN: 0.079" MIN. THK. FIBERGLASS
CORE MATERIAL: POLYURETHANE FOAM



Documents Prepared By:
Lyndon F. Schmidt
P.E. No. 43409
R.W. BUILDING CONSULTANTS, INC.
P.O. Box 230, Valrico, FL 33595
Phone No.: 813.659.9197
FBPE C.A. No. 9813

| | | |
|------------------------------|---------------------|----|
| PRODUCT: | TRINITY GLASS INT'L | |
| PART OR ASSEMBLY: | DOOR PANEL DETAILS | |
| NO. | DATE | BY |
| 1 | 03/02/15 | JK |
| UPDATE TO 5TH ED. (2014) FBC | | |
| REVISIONS | | |
| DATE: | 1/18/12 | |
| SCALE: | N.T.S. | |
| DWG. BY: | JK | |
| CHK. BY: | LFS | |
| DRAWING NO.: | FL-15129.15 | |
| SHEET | 2 OF 11 | |

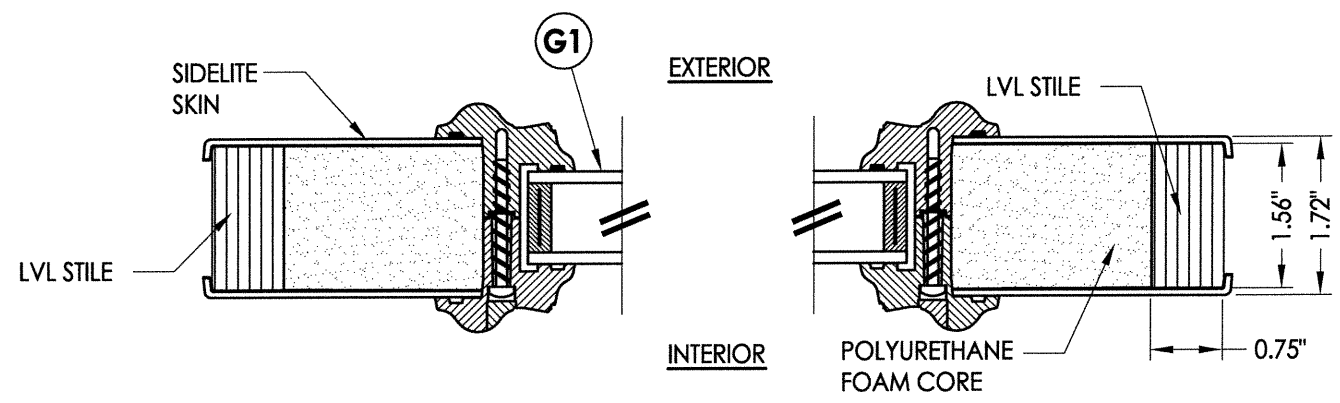
R:\Clients\Trinity PERMANENT\Florida Product Approvals\FL-15129\Drawings\Current\FL-15129.13-20.dwg, 3.15



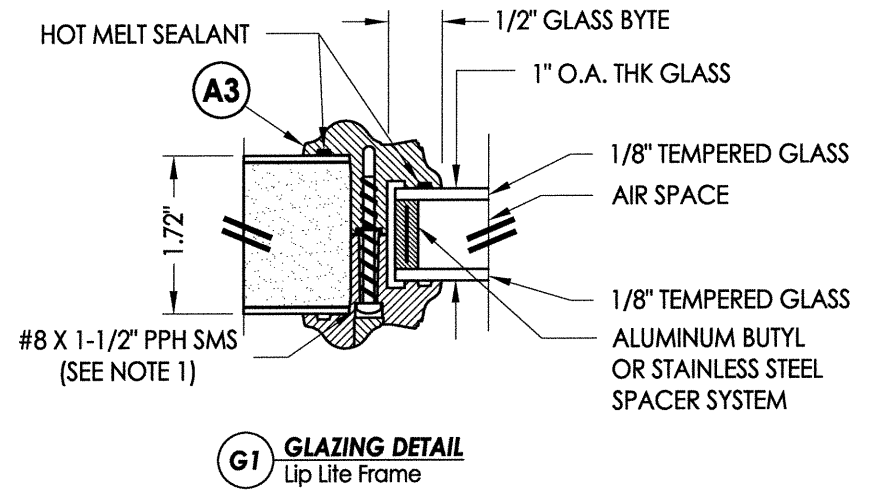
41 FIBERGLASS SIDELITE
"NON-IMPACT"

NOTE:
1. Spacing for lite frame screw is as follows:
Top and Bottom: 2" from each corner (2 total)
Sides: 2" from each corner and equally spaced thereafter (8 total)

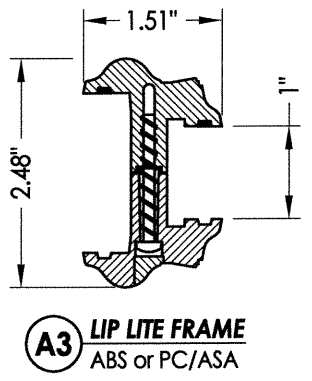
DOOR SKIN: 0.079" MIN. THK. FIBERGLASS
CORE MATERIAL: POLYURETHANE FOAM



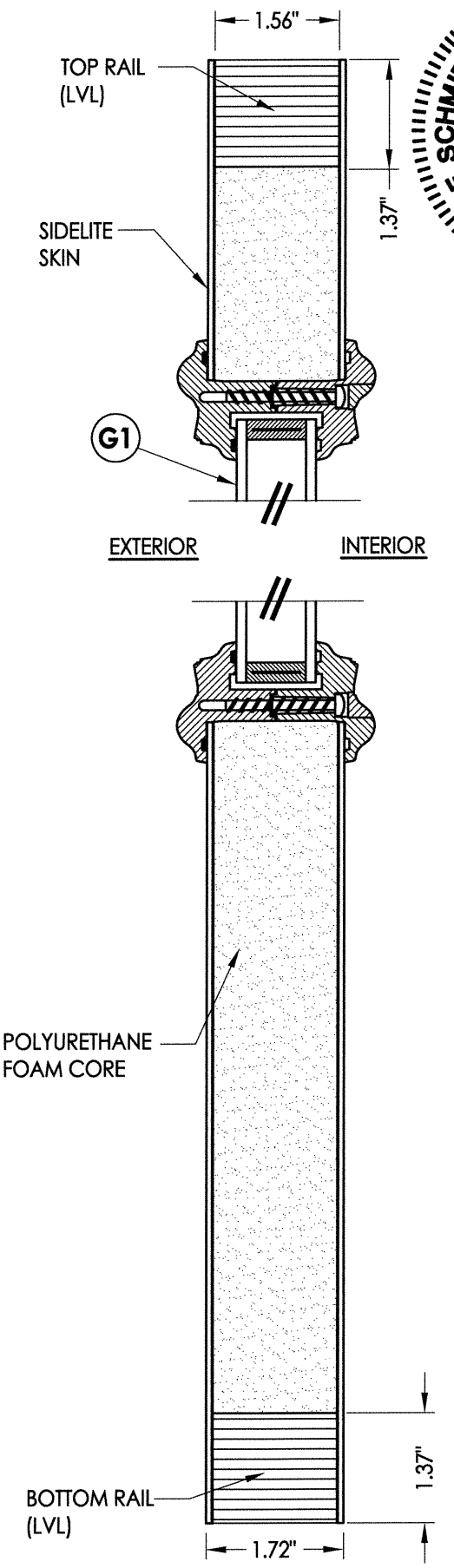
1 HORIZONTAL CROSS SECTION



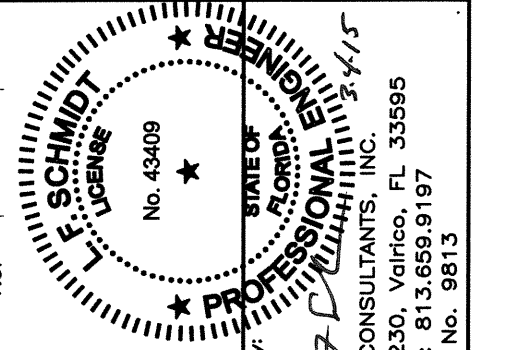
G1 GLAZING DETAIL
Lip Lite Frame



A3 LIP LITE FRAME
ABS or PC/ASA

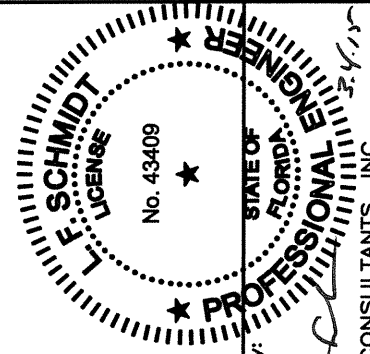
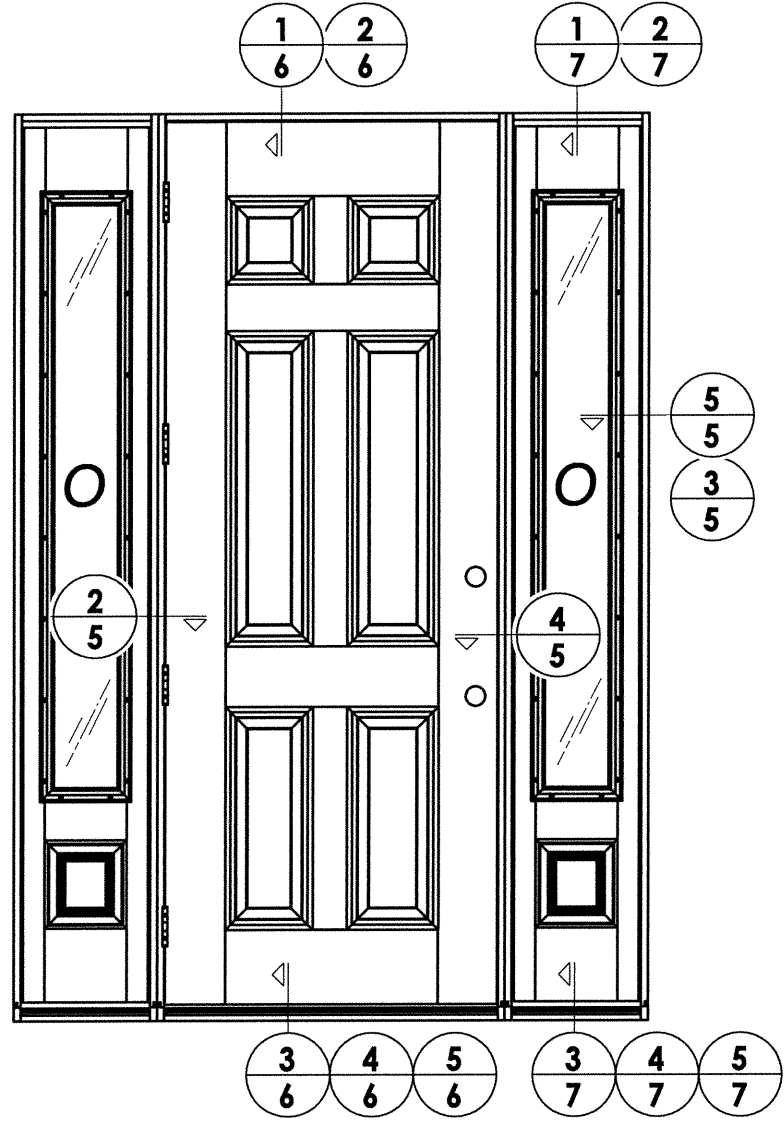
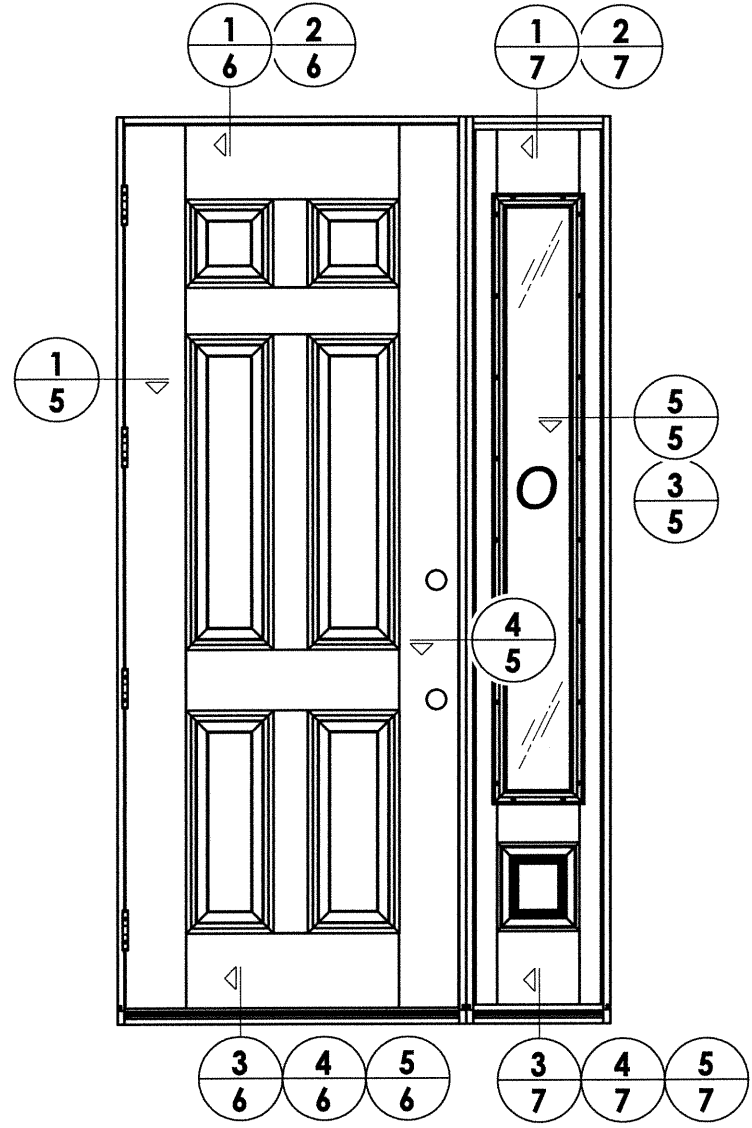


2 VERTICAL CROSS SECTION



Documents Prepared By:
Lyndon F. Schmidt
P.E. No. 43409
RW
BUILDING CONSULTANTS, INC.
P.O. Box 230, Valrico, FL 33595
Phone No.: 813.659.9197
FBPE C.A. No. 9813

| | | |
|-------------------|--------------------------|-------|
| PRODUCT: | TRINITY GLASS INT'L | |
| PART OR ASSEMBLY: | SIDELITE PANEL DETAILS | |
| NO. | DATE | BY |
| 1 | 03/02/15 | JK |
| | UPDATE TO 5TH ED. (2014) | FBC |
| REVISIONS | | |
| DATE: | 1/18/12 | |
| SCALE: | N.T.S. | |
| DWG. BY: | JK | |
| CHK. BY: | LFS | |
| DRAWING NO.: | FL-15129.15 | |
| SHEET | 3 | OF 11 |



Documents Prepared By:
 Lyndon F. Schmidt
 P.E. No. 43409

RW
 BUILDING CONSULTANTS, INC.
 P.O. Box 230, Valrico, FL 33595
 Phone No.: 813.659.9197
 FBPE C.A. No. 9813

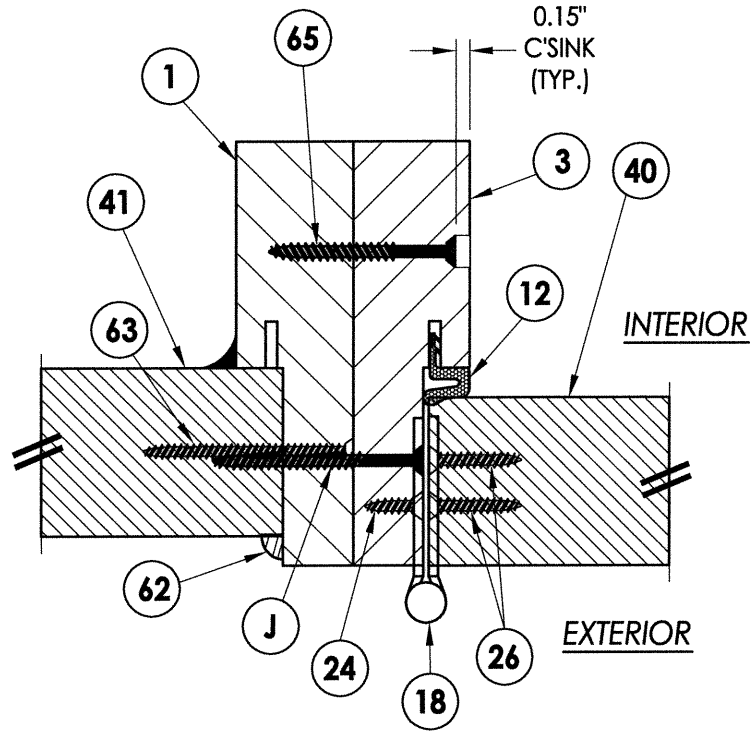
PRODUCT: TRINITY GLASS INT'L

PART OR ASSEMBLY: ELEVATIONS

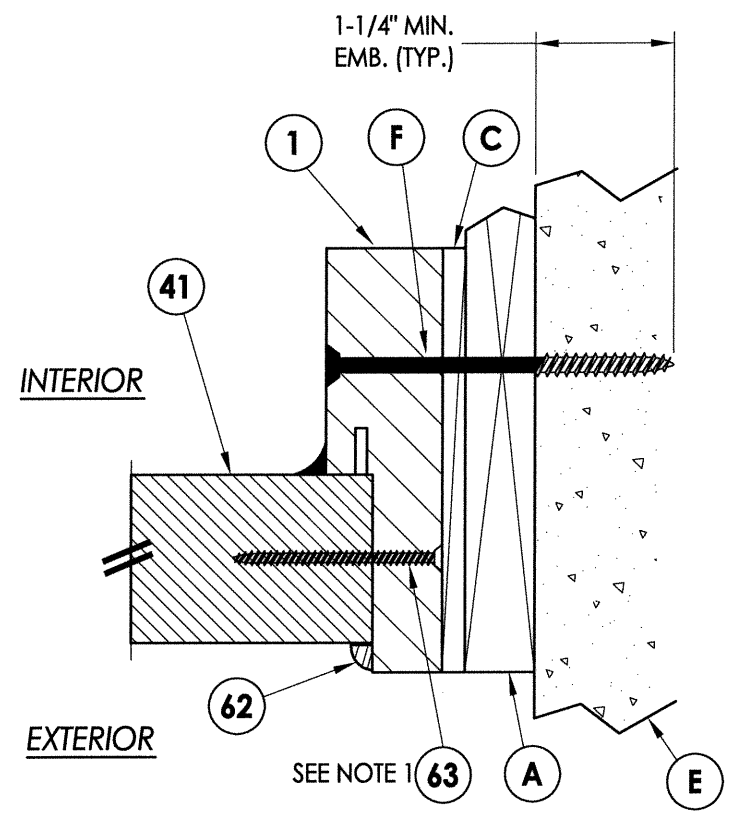
| NO. | DATE | REVISIONS | JK | BY |
|-----|----------|------------------------------|----|----|
| 1 | 03/02/15 | UPDATE TO 5TH ED. (2014) FBC | | |

DATE: 1/18/12
 SCALE: N.T.S.
 DWG. BY: JK
 CHK. BY: LFS
 DRAWING NO.: FL-15129.15
 SHEET 4 OF 11

R:\Clients\Trinity PERMANENT\Florida Product Approvals\FL-15129\Drawings\Current\FL-15129.13-20.dwg, 5.15

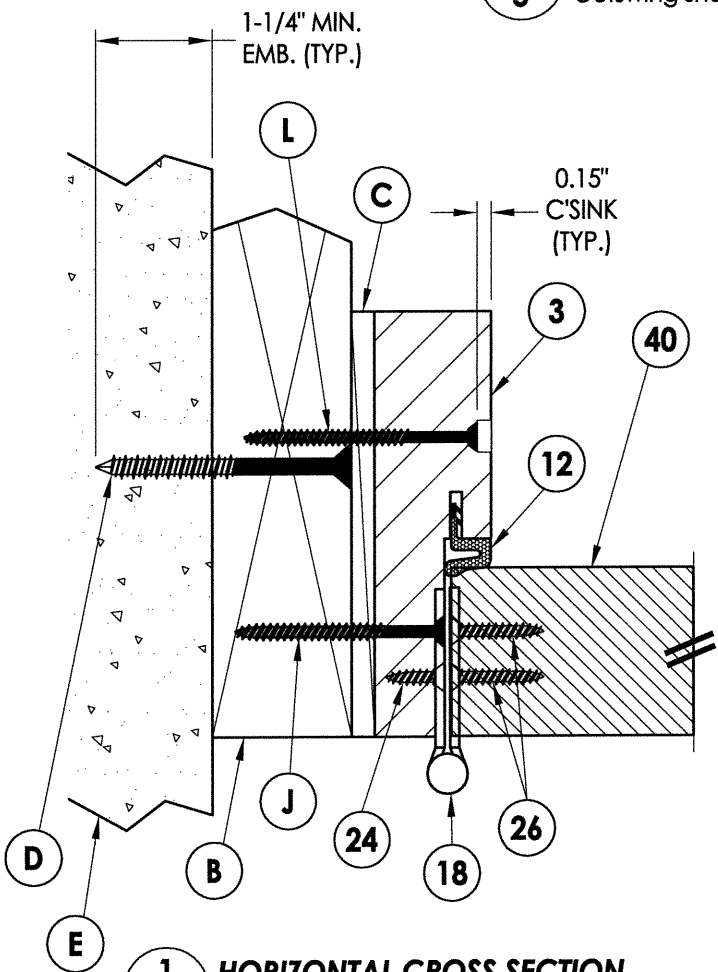


2 HORIZONTAL CROSS SECTION
5 Outswing shown - inswing also approved

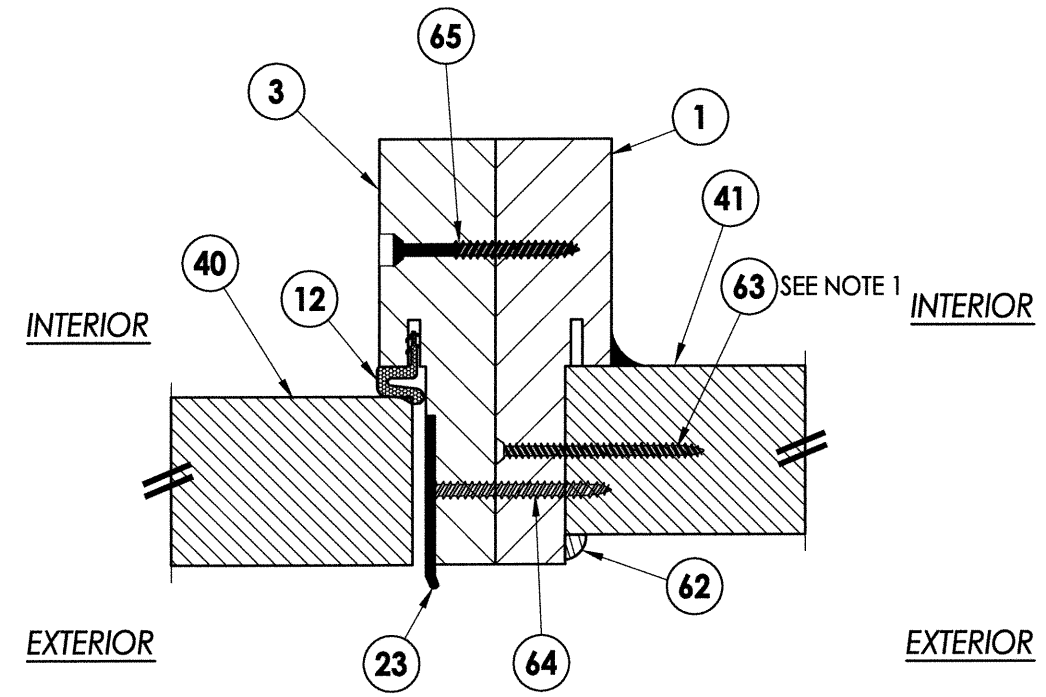


3 HORIZONTAL CROSS SECTION
5 Shown w/1X sub-buck

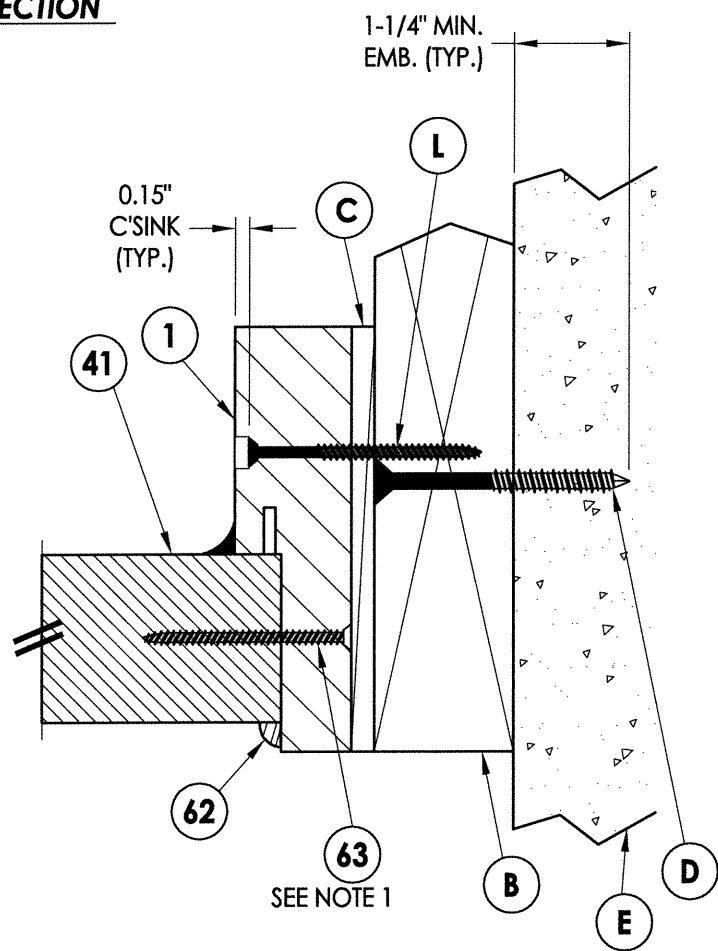
NOTE:
 1. Item #63 - #8 x 2-1/4" PFH screws thru jamb into sidelite located @ 6", 27", 50-1/4", & 72-1/8" from top of frame typ. both side jambs.



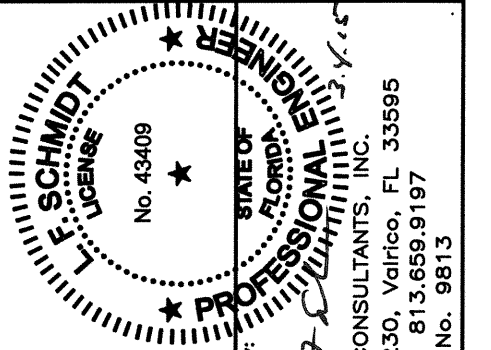
1 HORIZONTAL CROSS SECTION
5 Outswing shown - Inswing also approved



4 HORIZONTAL CROSS SECTION
5 Outswing shown - Inswing also approved



5 HORIZONTAL CROSS SECTION
5 Outswing shown - Inswing also approved



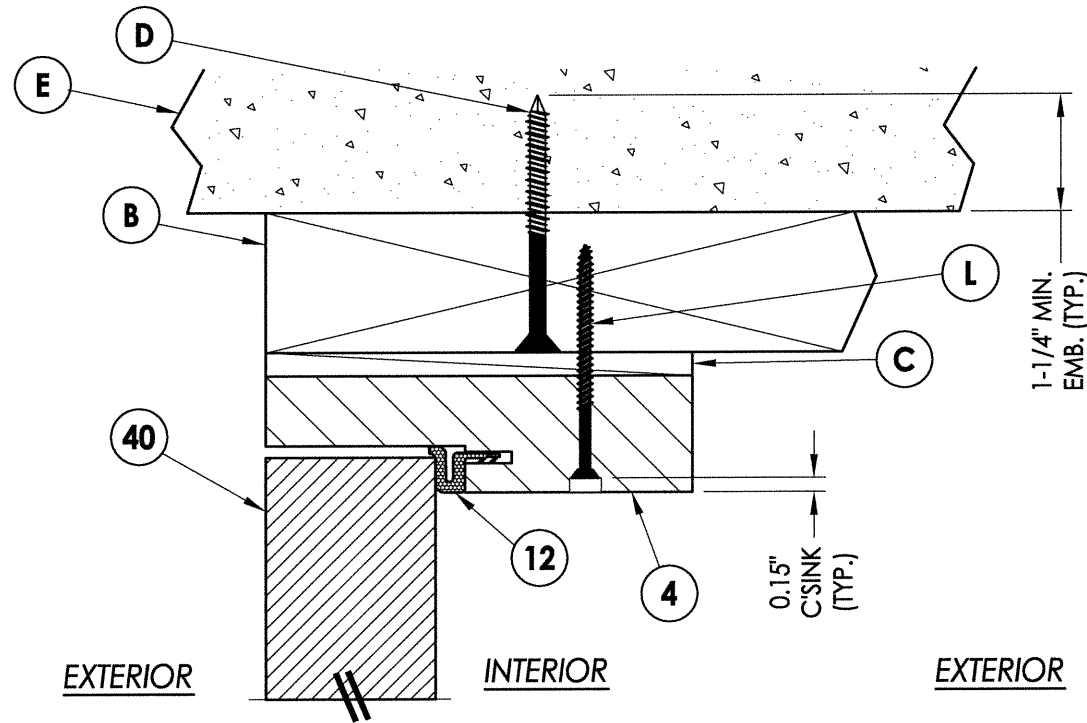
Documents Prepared By:
 Lyndon F. Schmidt
 P.E. No. 43409
 BUILDING CONSULTANTS, INC.
 P.O. Box 230, Valrico, FL 33595
 Phone No.: 813.659.9197
 FBPE C.A. No. 9813

PRODUCT: TRINITY GLASS INT'L
 PART OR ASSEMBLY: HORIZONTAL CROSS SECTIONS

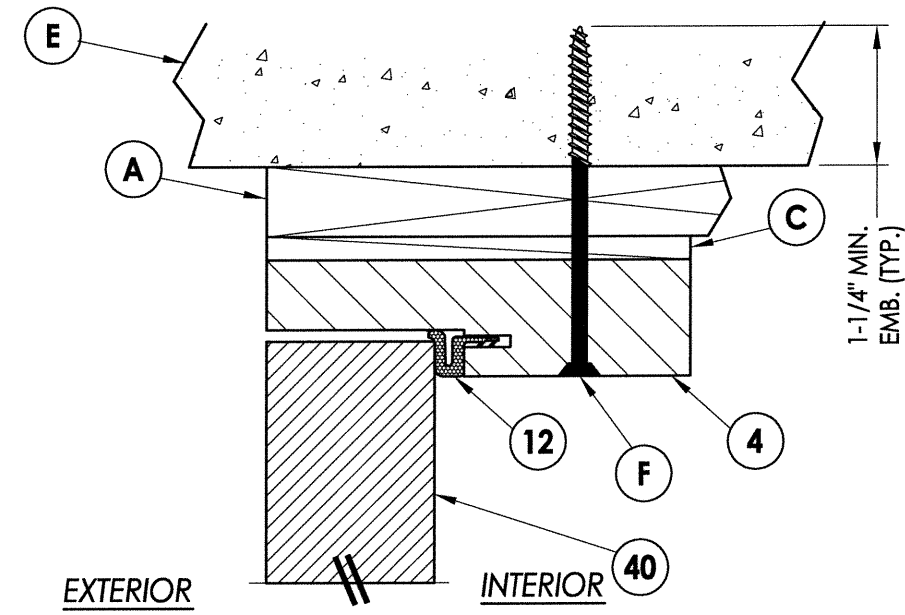
| NO. | DATE | BY |
|------------------------------|----------|----|
| 1 | 03/02/15 | JK |
| UPDATE TO 5TH ED. (2014) FBC | | |

DATE: 1/18/12
 SCALE: N.T.S.
 DWG. BY: JK
 CHK. BY: LFS
 DRAWING NO.: FL-15129.15
 SHEET 5 OF 11

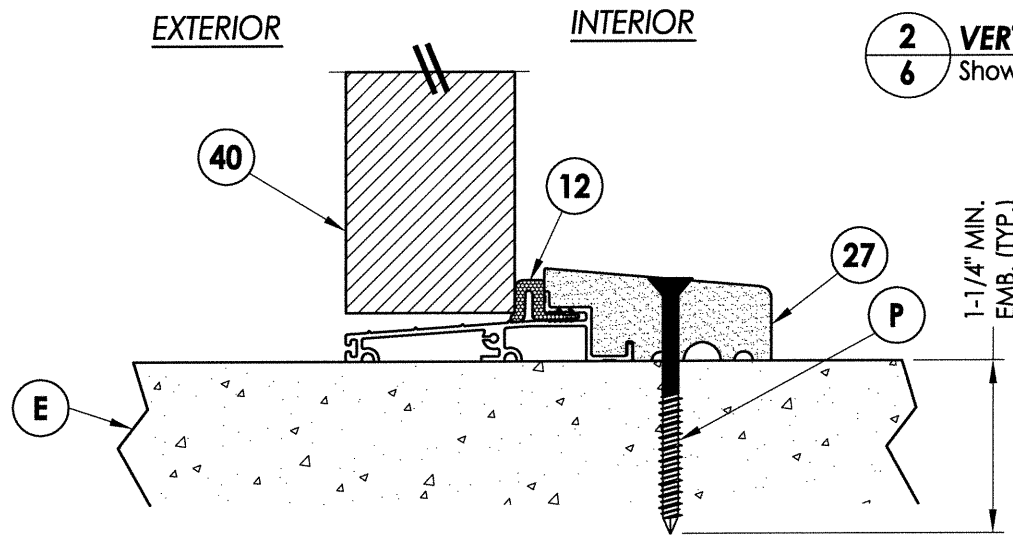
R:\Clients\Trinity PERMANENT\Florida Product Approvals\FL-15129\Drawings\Current\FL-15129.13-20.dwg, 6.15



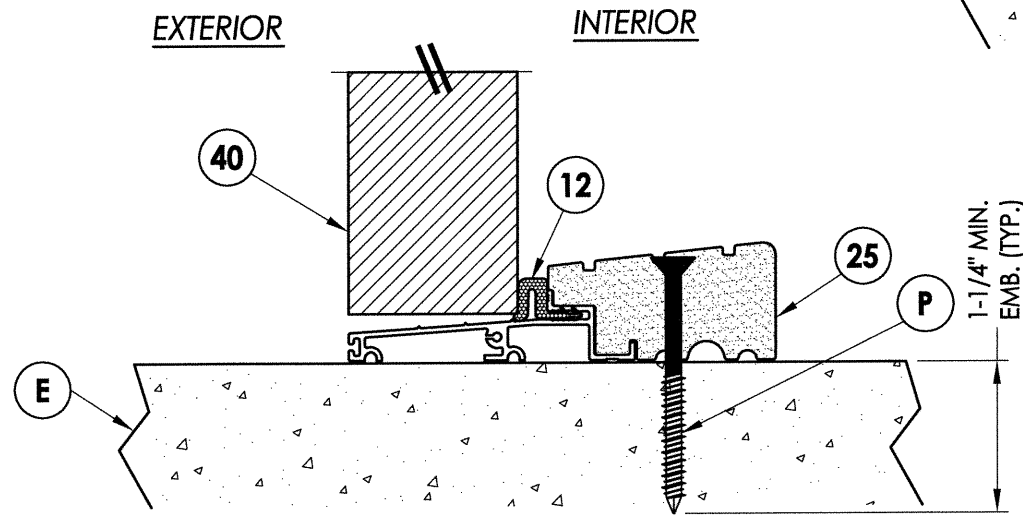
1 VERTICAL CROSS SECTION
6 Outswing shown
 Inswing also approved



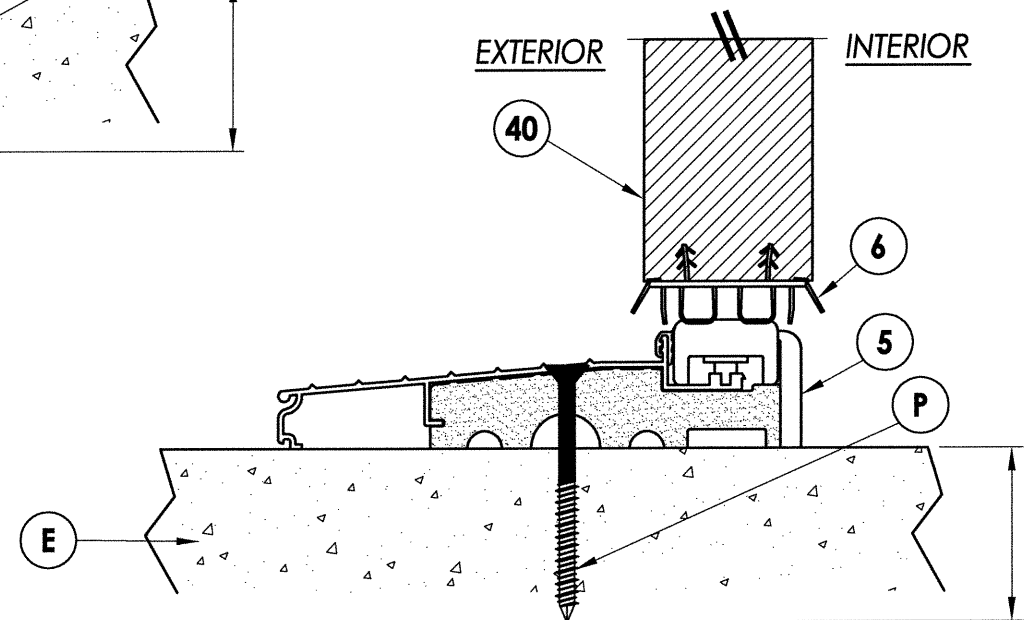
2 VERTICAL CROSS SECTION
6 Shown w/1X sub-buck



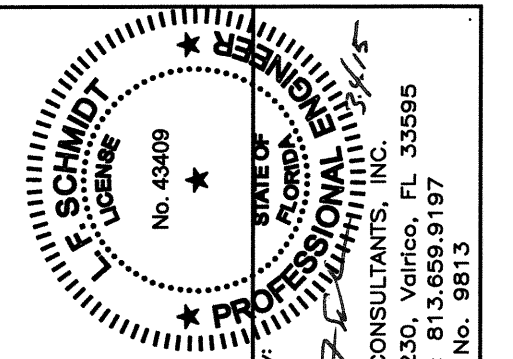
4 VERTICAL CROSS SECTION
6 Outswing sill



3 VERTICAL CROSS SECTION
6 Outswing sill - high dam



5 VERTICAL CROSS SECTION
6 Inswing sill



Documents Prepared By:
 Lyndon F. Schmidt
 P.E. No. 43409
 R.W. BUILDING CONSULTANTS, INC.
 P.O. Box 230, Valrico, FL 33595
 Phone No.: 813.659.9197
 FBPE C.A. No. 9813

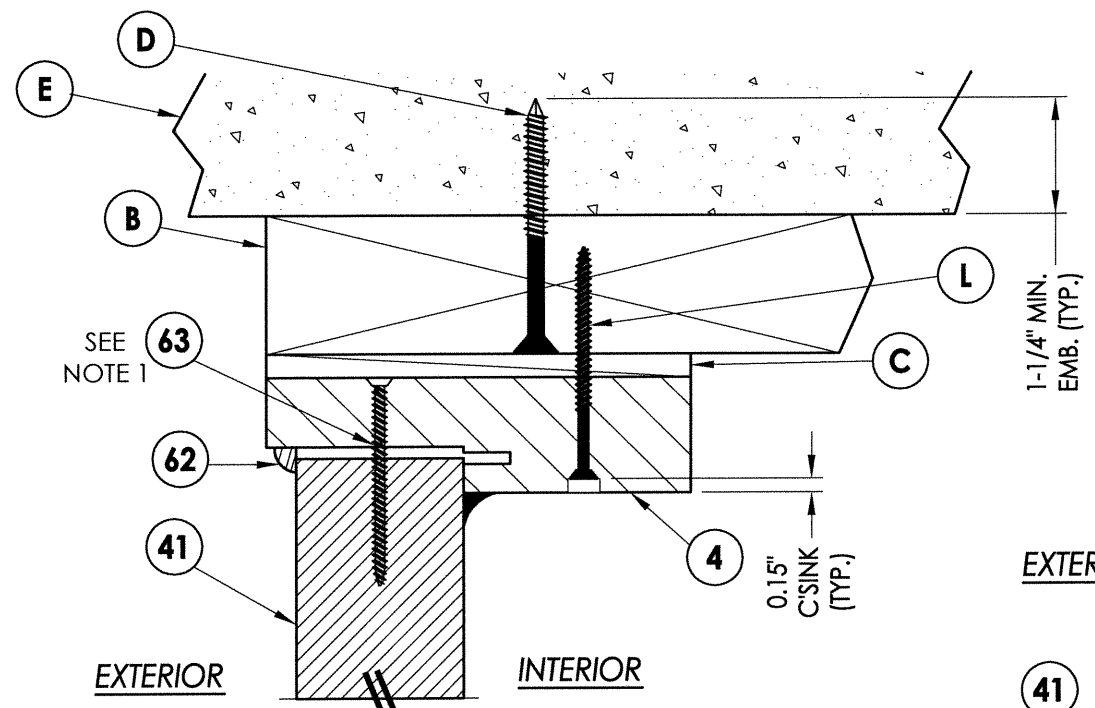
PRODUCT: TRINITY GLASS INT'L
 PART OR ASSEMBLY: VERTICAL CROSS SECTIONS

| NO. | DATE | BY |
|-----|----------|----|
| 1 | 03/02/15 | JK |

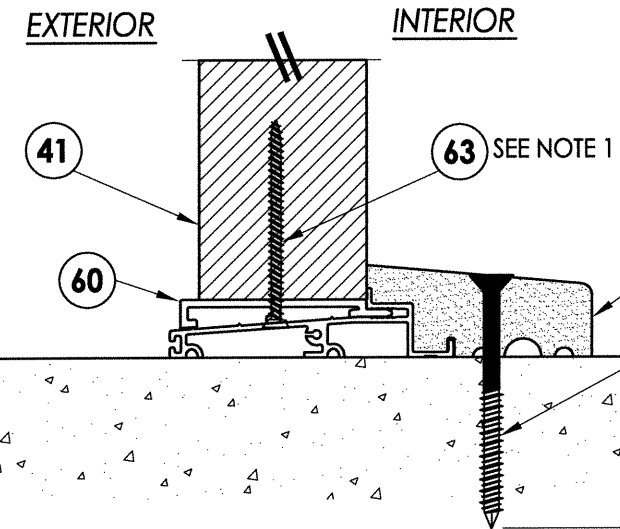
DATE: 1/18/12
 SCALE: N.T.S.
 DWG. BY: JK
 CHK. BY: LFS
 DRAWING NO.: FL-15129.15
 SHEET 6 OF 11

R:\Clients\Trinity PERMANENT\Florida Product Approvals\FL-15129\Drawings\Current\FL-15129.13-20.dwg, 7.15

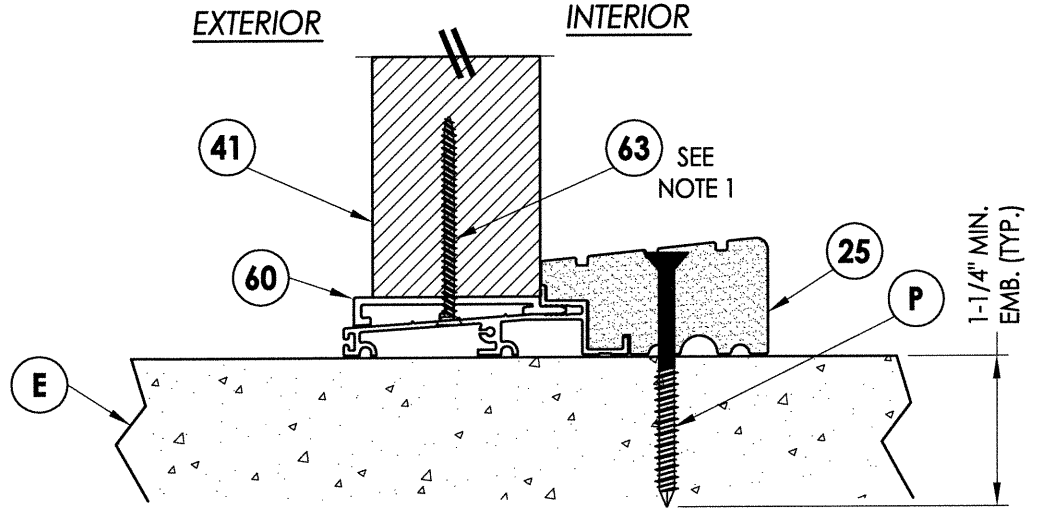
NOTE:
 1. Screws thru head and sill jamb located 3" from each end and O.C. (TYP.) line.



1
7 VERTICAL CROSS SECTION

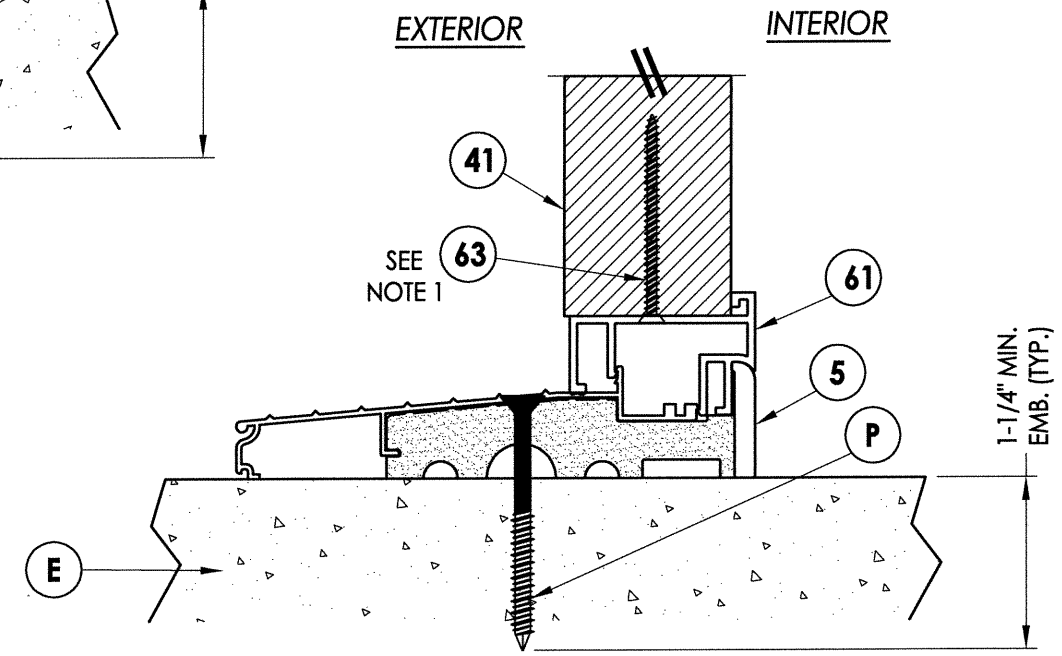


2
7 VERTICAL CROSS SECTION
 Shown w/1X sub-buck

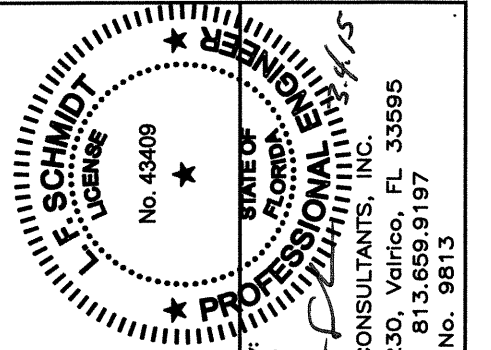


3
7 VERTICAL CROSS SECTION
 Outswing sill - high dam

4
7 VERTICAL CROSS SECTION
 Outswing sill



5
7 VERTICAL CROSS SECTION
 Inswing sill



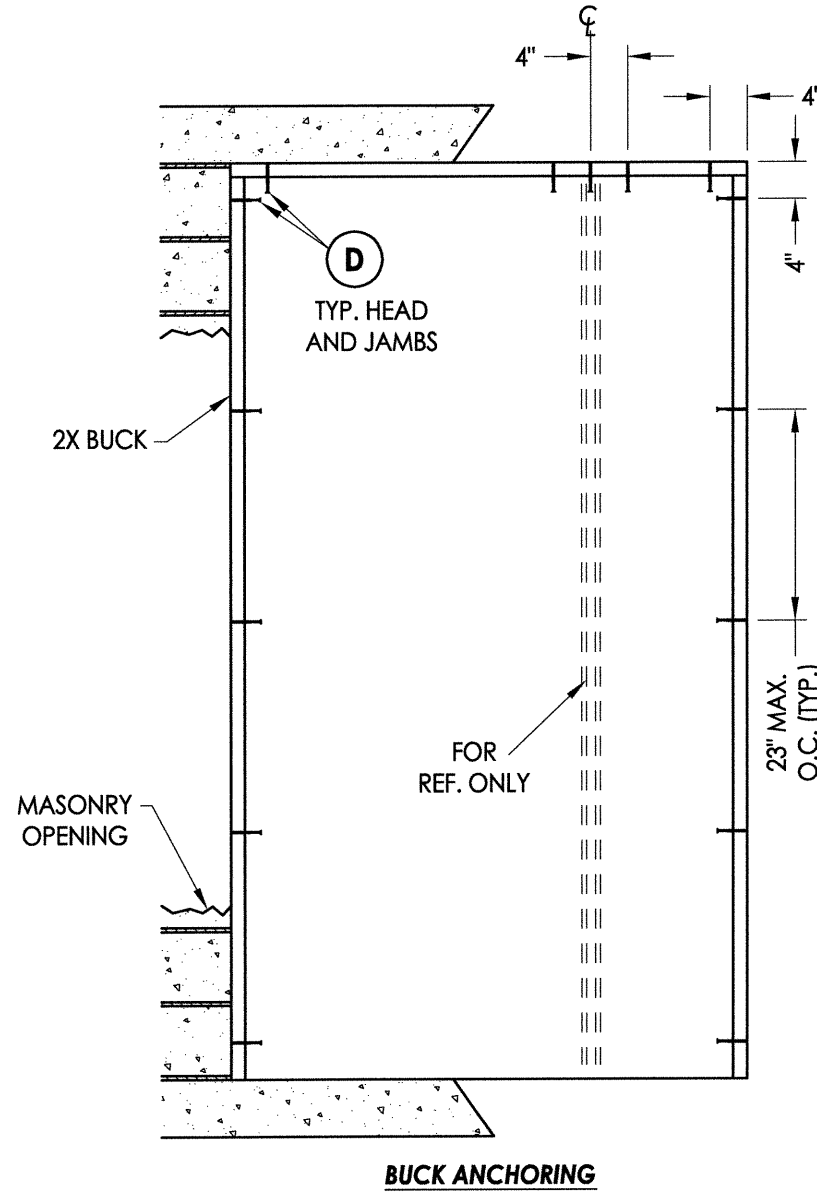
Documents Prepared By:
 Lyndon F. Schmidt
 P.E. No. 43409
 R.W. BUILDING CONSULTANTS, INC.
 P.O. Box 230, Valrico, FL 33595
 Phone No.: 813.659.9197
 FBPE C.A. No. 9813

PRODUCT: TRINITY GLASS INT'L
 PART OR ASSEMBLY: VERTICAL CROSS SECTIONS

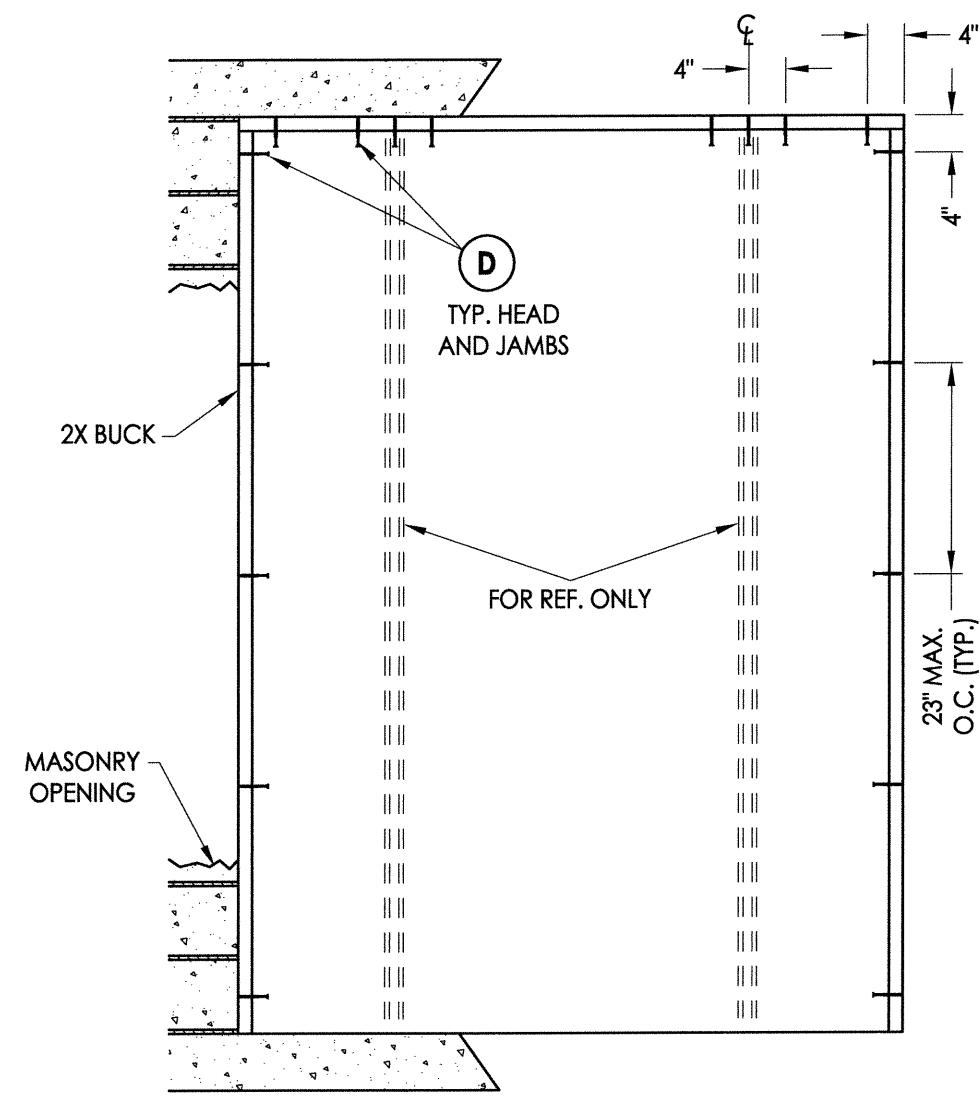
| NO. | DATE | BY | REVISIONS |
|-----|----------|----|------------------------------|
| 1 | 03/02/15 | JK | UPDATE TO 5TH ED. (2014) FBC |

DATE: 1/18/12
 SCALE: N.T.S.
 DWG. BY: JK
 CHK. BY: LFS
 DRAWING NO.: FL-15129.15
 SHEET 7 OF 11

© 2012 R.W. BUILDING CONSULTANTS INC.



BUCK ANCHORING



BUCK ANCHORING

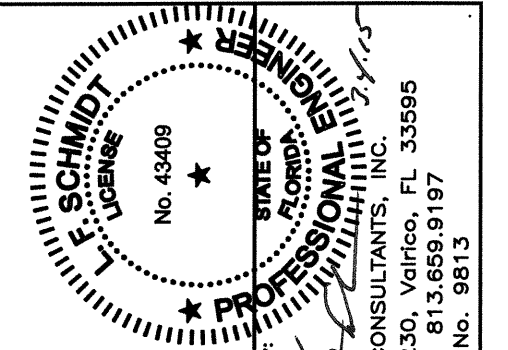
CONCRETE ANCHOR NOTES:

1. Concrete anchor locations at the corners may be adjusted to maintain the min. edge distance to mortar joints.
2. Concrete anchor locations noted as "MAX. ON CENTER" must be adjusted to maintain the min. edge distance to mortar joints, additional concrete anchors may be required to ensure the "MAX. ON CENTER" dimension are not exceeded.
3. Concrete anchor table:

| ANCHOR TYPE | ANCHOR SIZE | MIN. EMBEDMENT | MIN. CLEARANCE TO MASONRY EDGE | MIN. CLEARANCE TO ADJACENT ANCHOR |
|---------------------|-------------|----------------|--------------------------------|-----------------------------------|
| ITW BUILDEX TAPCON® | 1/4" | 1-1/4" | 2" | 4" |
| ELCO ULTRACON® | 1/4" | 1-1/4" | 1" | 4" |

WOOD SCREW INSTALLATION NOTES:

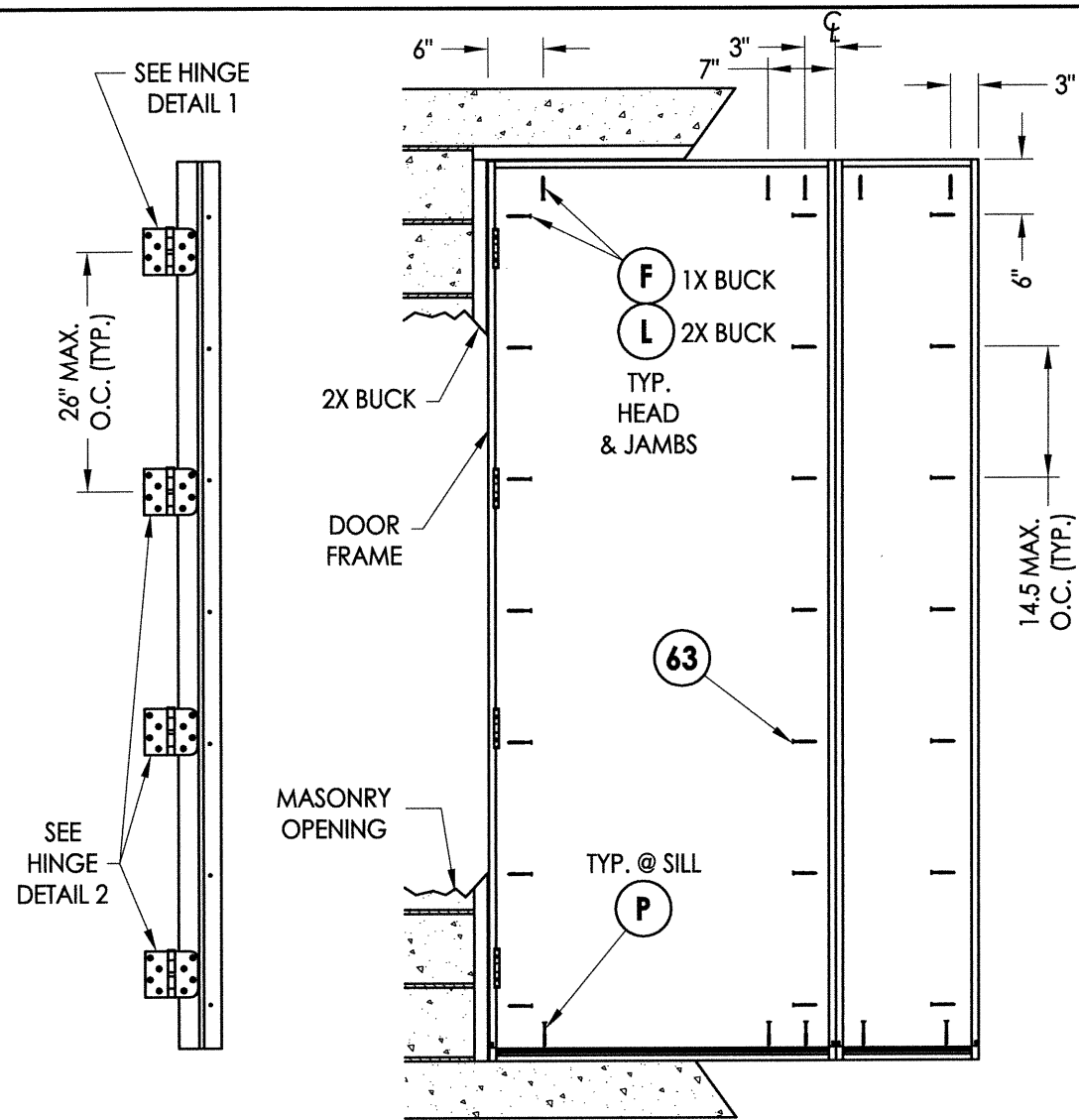
1. Maintain a minimum 5/8" edge distance, 1" end distance, & 1" o.c. spacing of wood screws to prevent the splitting of wood.



Documents Prepared By:
 Lyndon F. Schmidt
 P.E. No. 43409
 R.W. BUILDING CONSULTANTS, INC.
 P.O. Box 230, Valrico, FL 33595
 Phone No.: 813.659.9197
 FBPE C.A. No. 9813

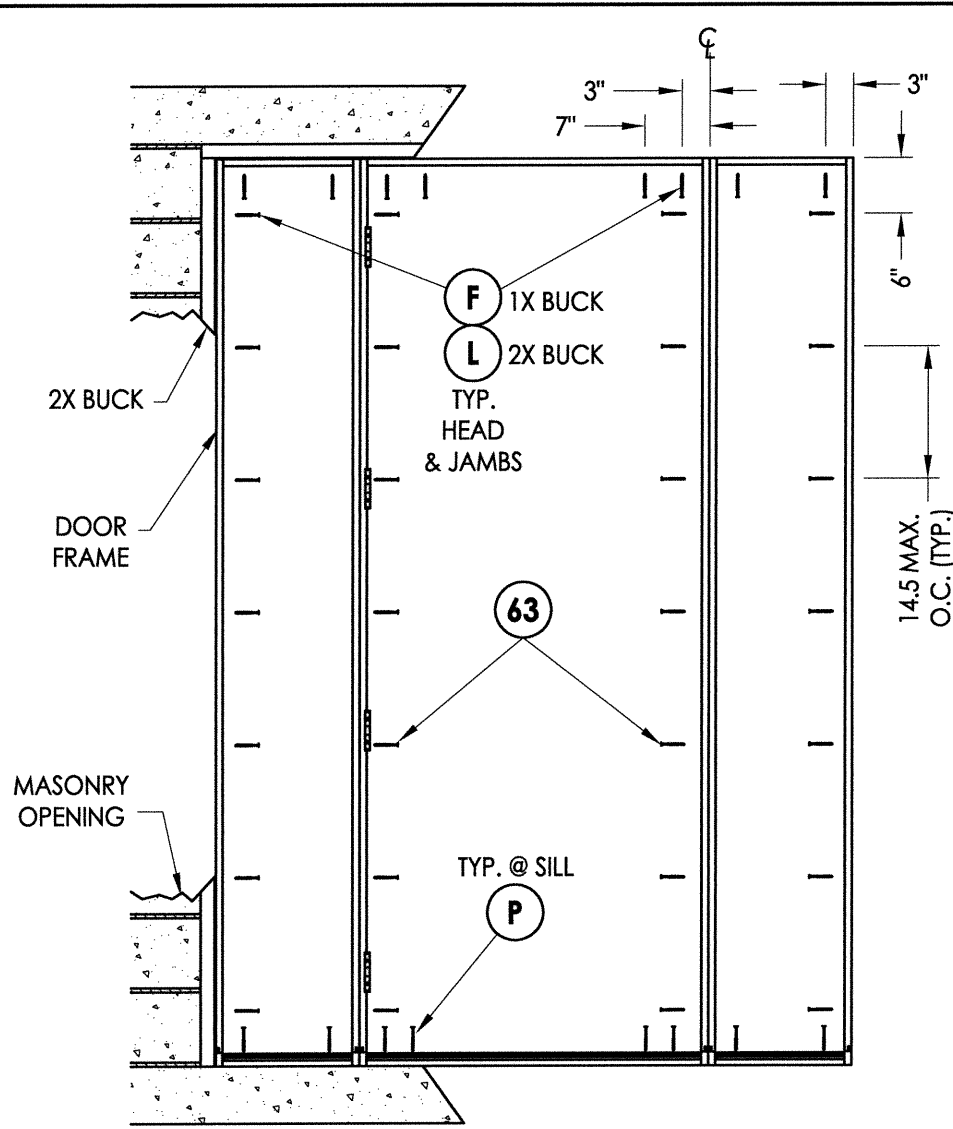
| | |
|-------------------|---------------------|
| PRODUCT: | TRINITY GLASS INT'L |
| PART OR ASSEMBLY: | BUCK ANCHORING |
| DATE: | 1/18/12 |
| SCALE: | N.T.S. |
| DWG. BY: | JK |
| CHK. BY: | LFS |
| DRAWING NO.: | FL-15129.15 |
| SHEET | 8 OF 11 |

| NO. | DATE | REVISIONS |
|-----|----------|------------------------------|
| 1 | 03/02/15 | UPDATE TO 5TH ED. (2014) FBC |

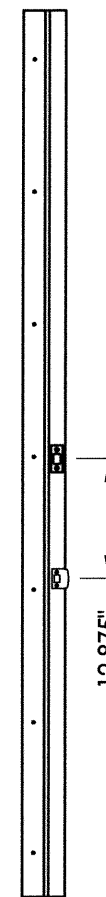


HINGE JAMB

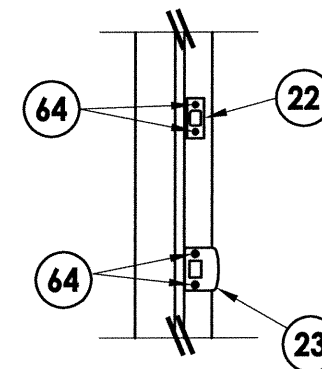
FRAME ANCHORING
Masonry construction



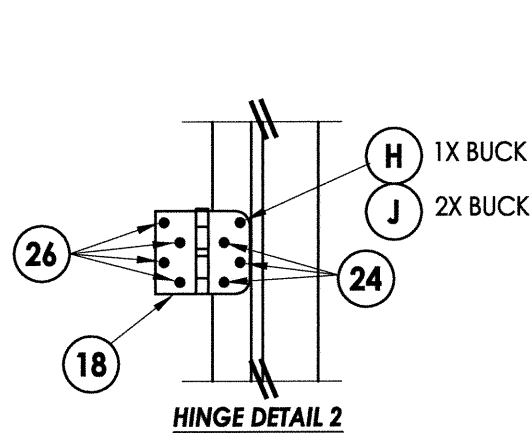
FRAME ANCHORING
Masonry construction



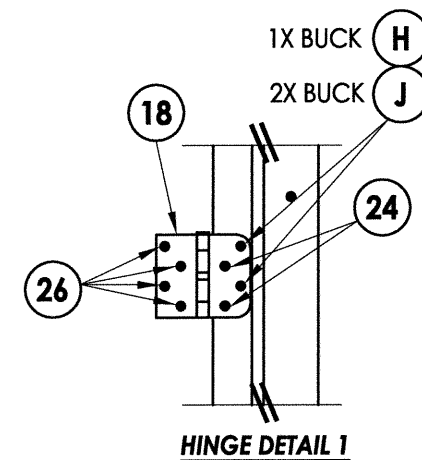
STRIKE JAMB



STRIKE PLATE DETAIL



HINGE DETAIL 2



HINGE DETAIL 1

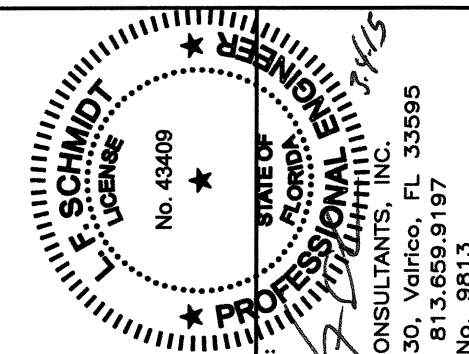
CONCRETE ANCHOR NOTES:

1. Concrete anchor locations at the corners may be adjusted to maintain the min. edge distance to mortar joints.
2. Concrete anchor locations noted as "MAX. ON CENTER" must be adjusted to maintain the min. edge distance to mortar joints, additional concrete anchors may be required to ensure the "MAX. ON CENTER" dimension are not exceeded.
3. Concrete anchor table:

| ANCHOR TYPE | ANCHOR SIZE | MIN. EMBEDMENT | MIN. CLEARANCE TO MASONRY EDGE | MIN. CLEARANCE TO ADJACENT ANCHOR |
|---------------------|-------------|----------------|--------------------------------|-----------------------------------|
| ITW BUILDEX TAPCON® | 3/16" | 1-1/4" | 3" | 1-1/2" |
| ELCO ULTRACON® | 1/4" | 1-1/4" | 2" | 4" |
| ELCO ULTRACON® | 1/4" | 1-1/4" | 1" | 4" |

WOOD SCREW INSTALLATION NOTES:

1. Maintain a minimum 5/8" edge distance, 1" end distance, & 1" o.c. spacing of wood screws to prevent the splitting of wood.



Documents Prepared By:
Lyndon F. Schmidt
P.E. No. 43409

RW BUILDING CONSULTANTS, INC.
P.O. Box 230, Valrico, FL 33595
Phone No.: 813.659.9197
FBPE C.A. No. 9813

PRODUCT: TRINITY GLASS INT'L

PART OR ASSEMBLY: FRAME ANCHORING

| NO. | DATE | REVISIONS |
|-----|----------|------------------------------|
| 1 | 03/02/15 | UPDATE TO 5TH ED. (2014) FBC |
| JK | | |
| BY | | |

DATE: 1/18/12

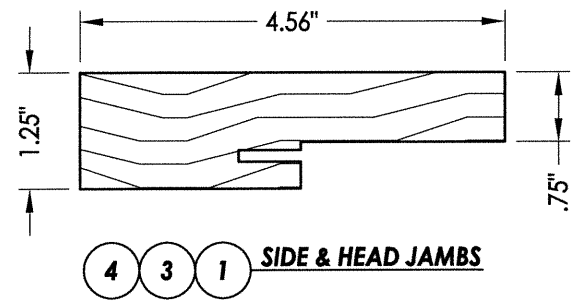
SCALE: N.T.S.

DWG. BY: JK

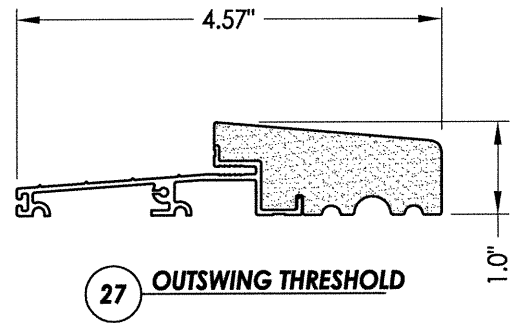
CHK. BY: LFS

DRAWING NO.: FL-15129.15

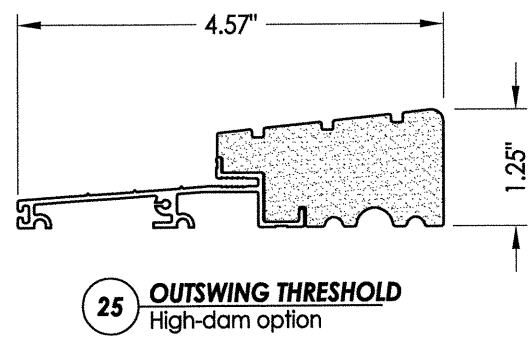
SHEET 9 OF 11



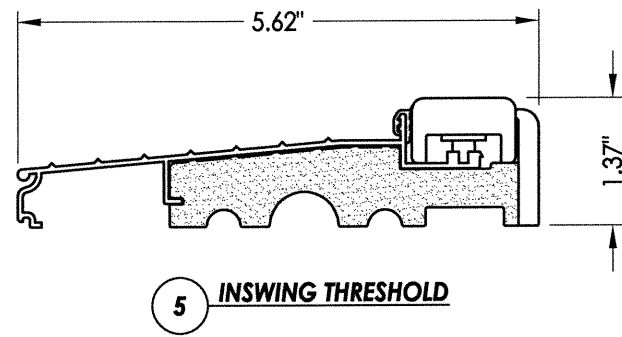
4 3 1 **SIDE & HEAD JAMBS**



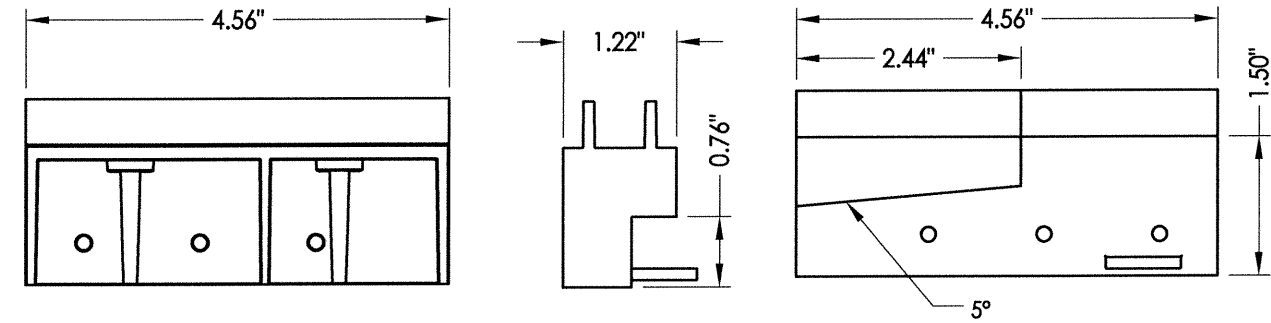
27 **OUTSWING THRESHOLD**



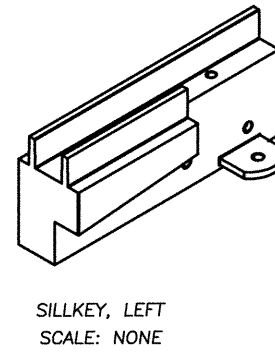
25 **OUTSWING THRESHOLD**
High-dam option



5 **INSWING THRESHOLD**



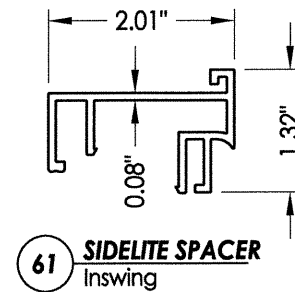
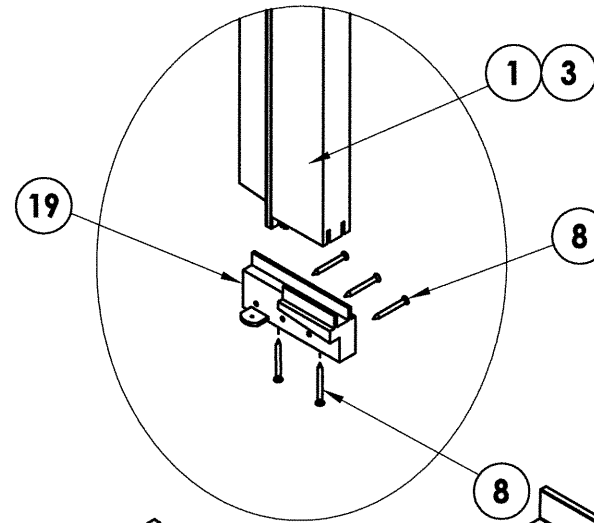
19 **SILLKEY DETAILS**
Optional



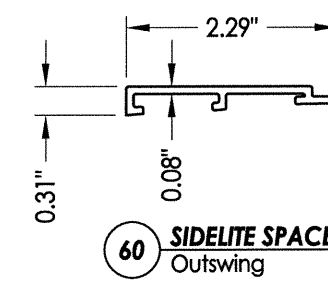
SILLKEY, LEFT
SCALE: NONE



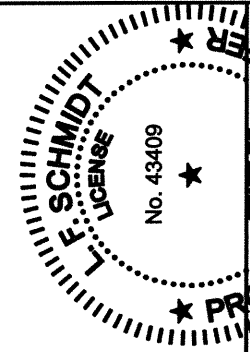
SILLKEY, RIGHT
SCALE: NONE



61 **SIDELITE SPACER**
Inswing



60 **SIDELITE SPACER**
Outswing



Documents Prepared By:
Lyndon F. Schmidt
P.E. No. 43409

R.W. BUILDING CONSULTANTS, INC.
P.O. Box 230, Valrico, FL 33595
Phone No.: 813.659.9197
FBPE C.A. No. 9813

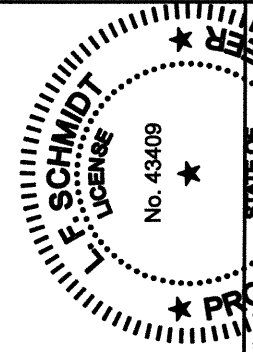
PRODUCT: TRINITY GLASS INT'L

PART OR ASSEMBLY: COMPONENTS

| NO. | DATE | REVISIONS |
|-----|----------|------------------------------|
| 1 | 03/02/15 | UPDATE TO 5TH ED. (2014) FBC |
| JK | BY | |

DATE: 1/18/12
SCALE: N.T.S.
DWG. BY: JK
CHK. BY: LFS
DRAWING NO.: FL-15129.15
SHEET 10 of 11

| BILL OF MATERIALS | | |
|-------------------|--|--------------|
| ITEM # | DESCRIPTION | MATERIAL |
| A | 1X BUCK SG >= 0.55 | WOOD |
| B | 2X BUCK SG >= 0.55 | WOOD |
| C | 1/4" MAX. SHIM SPACE | - |
| D | 1/4" X 2-3/4" PFH ELCO OR ITW CONCRETE SCREW | STEEL |
| E | MASONRY - 3,000 PSI MIN. CONCRETE CONFORMING TO ACI 301 OR HOLLOW BLOCK CONFORMING TO ASTM C90 | CONCRETE |
| F | 1/4" X 3-3/4" ITW PFH CONCRETE SCREW | STEEL |
| H | 3/16" X 3-1/4" ITW PFH CONCRETE SCREW | STEEL |
| J | #9 X 2-1/4" PFH WS | STEEL |
| L | #8 X 2-1/2" PFH WS | STEEL |
| P | 1/4" X 2-3/4" ITW PFH CONCRETE SCREW | STEEL |
| 1 | STRIKE JAMB - FINGER-JOINT PINE - SG >= 0.42 | WOOD |
| 3 | HINGE JAMB - FINGER-JOINT PINE - SG >= 0.42 | WOOD |
| 4 | HEAD - FINGER-JOINT PINE - SG >= 0.42 | WOOD |
| 5 | INSWING THRESHOLD ALUMINUM W/ COMPOSITE SUBSTRATE | ALUMINUM |
| 6 | DOOR BOTTOM SWEEP | PVC |
| 8 | #6 X 1-1/4" PFH DRYWALL SCREW | STEEL |
| 12 | WEATHER STRIP QEBD650 Q-LON | - |
| 18 | 3.983" X 4.0" HINGE MIN 0.098" THICK | STEEL |
| 19 | SILLKEY | PC/ASA |
| 22 | DEADBOLT STRIKE PLATE | STEEL |
| 23 | LATCH STRIKE PLATE | STEEL |
| 24 | #9 X 5/8" PFH WS | STEEL |
| 25 | OUTSWING HIGH-DAM THRESHOLD ALUMINUM W/ COMPOSITE SUBSTRATE | ALUM./ COMP. |
| 26 | #9 X 1.0" PFH WS | STEEL |
| 27 | OUTSWING THRESHOLD ALUMINUM W/ COMPOSITE SUBSTRATE | ALUM./ COMP. |
| 40 | DOOR PANEL - SEE DOOR PANEL DETAIL SHEET FOR CONSTRUCTION DETAILS | - |
| 41 | SIDELITE PANEL - SEE SIDELITE PANEL DETAIL SHEET FOR CONSTRUCTION DETAILS | - |
| 60 | SIDELITE SPACER - OUTSWING | PVC |
| 61 | SIDELITE SPACER - INSWING | PVC |
| 62 | QUARTER ROUND | WOOD |
| 63 | #8 X 2-1/4" PFH WOOD SCREW | STEEL |
| 64 | #8 X 2" PFH WOOD SCREW | STEEL |



Documents Prepared By:
 Lyndon F. Schmidt
 P.E. No. 43409
 BUILDING CONSULTANTS, INC.
 P.O. Box 230, Valrico, FL 33595
 Phone No.: 813.659.9197
 FBPE C.A. No. 9813

PRODUCT: TRINITY GLASS INT'L
 PART OR ASSEMBLY: BILL OF MATERIALS

| NO. | DATE | BY | REVISIONS |
|-----|----------|----|------------------------------|
| 1 | 03/02/15 | JK | UPDATE TO 5TH ED. (2014) FBC |

DATE: 1/18/12
 SCALE: N.T.S.
 DWG. BY: JK
 CHK. BY: LFS
 DRAWING NO.: FL-15129.15
 SHEET 11 of 11